



## *Silhouette Modules*

Solahart440BRB1

Solahart445BRB1

Solahart450BRB1

# Installation Manual

*Solahart PV Systems must be installed and serviced by a suitably qualified person.*

---

## Catalogue

<b>1</b>	<b>Introduction</b>	3
1.1	Purpose	3
1.2	Scope of liability	3
<b>2</b>	<b>Regulations</b>	3
<b>3</b>	<b>Safety Precautions</b>	3
3.1	General safety	4
3.2	Operation safety measures	5
<b>4</b>	<b>Handling and unpacking</b>	6
4.1	Transport	6
4.2	Unpack	7
4.3	Stack	7
<b>5</b>	<b>Mechanical installation</b>	7
5.1	Environment	7
5.2	Tilt angle selection	8
5.3	Mounting Guide	8
5.3.1	Bolted mounting	9
5.3.2	Clamped mounting	10
<b>6</b>	<b>Electrical Installation</b>	14
6.1	Electrical characteristics	14
6.2	Electrical connection	15
6.3	Grounding	16
<b>7</b>	<b>Maintenance</b>	17
7.1	Routine Inspection	17
7.2	PV module cleaning	18
	<b>Modified version and date</b>	19

---

## 1 Introduction

We appreciate for your trust and confidence towards the photovoltaic (PV) module products from Solahart.

Please read all instructions and the electrical and mechanical requirements in this manual carefully before installation. Specialized skills are required for installing and operating PV modules, and only professionals are capable to perform this task. All safety precautions in this manual shall be strictly observed during installation, and the manual shall be properly kept for further reference. The installer must inform the end customer (or consumer) accordingly.

### 1.1 Purpose

This document provides detailed instructions and safety precautions regarding the installation, electrical connection, and maintenance of following **Solahart Silhouette** PV modules:

Solahart440BRB1	Solahart445BRB1	Solahart450BRB1

### 1.2 Scope of liability

No warranty expressed or implied is made with regard

to any information in this manual because how this manual is complied with is beyond the control of Solahart. Solahart shall not be liable for any form of loss, including but not limited to loss, damage, casualty or additional cost caused by improper installation, operation, use and maintenance of PV modules and systems.

Solahart reserves the right to update this manual without prior notice.

## 2 Regulations

The mechanical installation and electrical connection of PV systems should be performed in accordance with local laws, regulations and corresponding international and domestic standards including electrical codes, building codes and electrical connection requirements. Such requirements may vary from different mounting location, e.g. rooftop system and floating systems. Requirements may also vary with system voltage and for DC/AC applications. Please contact local authorities for detailed governing regulations.

## 3 Safety Precautions

- Solahart Silhouette modules are designed to meet the requirements of IEC61215 and IEC61730, and they have been qualified for Application Class A (equivalent to Safety Class II requirements). Modules can be applied to publicly accessible systems operating at greater than 50V DC or 240W.

---

## **! WARNING**

Read and understand all safety instructions before installing, wiring, handling, and/or maintaining PV modules. PV modules generate direct current electricity when they are exposed to sunlight or other light sources. Whether the module is connected or not, direct contact with the live part of the module such as the wiring terminal may cause personal injury or even death.

### **3.1 General safety**

- Before installation, please contact the relevant local authority to make sure the installation permit and installation inspection requirements can meet the local requirements. The installation process should comply with the safety rules applicable to all components in the system, including cables, terminals, charging monitors, batteries, inverters, etc.
- Installation and maintenance must be completed by professionally qualified engineers. During the installation, wear safety helmets, insulating gloves, safety shoes and use insulating tools to avoid the direct contact with a DC voltage of 30V or even higher.
- When installing or operating PV modules on rainy days or dewy mornings, take appropriate protective measures to prevent moisture from penetrating the connectors. Unauthorized personnel are prohibited from approaching the installation area or PV module storage area.
- It is forbidden to install or use damaged PV modules.
- It is forbidden to repair PV modules by unauthorized personnel, including but not limited to replacing any part of PV modules (such as diodes, junction boxes, connectors, etc.).
- It is forbidden to plug in connectors of different types and models.
- It is forbidden to expose PV modules to the following substances: grease or organic ester compounds (e.g. DOP, plasticizers), aromatics, phenols, ketones, halogenated substances, mineral oil, alkanes (e.g. gasoline, cleaning lubricants, electronic resurrection agents), alcohol, adhesive sheets that can generate oxime gas and potting glue (only for connectors, such as KE200, CX-200/chemlok, etc.), TBP (plasticizer), detergent, etc., to avoid chemical damage and affect the electrical safety performance of PV modules.
- Photovoltaic module installation is prohibited on windy days.
- Avoid focusing sunlight on PV modules.
- It is forbidden to place PV modules near equipment or where flammable gas may be generated.
- It is forbidden to install PV modules on movable platform, excepting tracking systems.
- It is forbidden to disassemble and move any part of the PV module; if the connector of the PV module is wet, do not perform any actions to avoid the risk of electric shock.
- It is forbidden to connect or disconnect the PV module when there is electrical current or external electrical current.
- The cover of the junction box should always be kept closed.

- Avoid partial shading of PV modules for a long period of time, otherwise the temperature of the shaded module may rise due to hot spot effect, burning the module and causing fire hazard in severe cases.
- For PV modules used in deserts or windy and sandy areas, it is recommended to use connector dust caps before installation or take other measures to prevent sand and dust from entering the connectors, otherwise it may cause insertion problems or electrical safety hazards.

### 3.2 Operation safety measures

- Avoid package damaging and falling during transportation and storage. Ensure the packing cases are well ventilated, water-proof and dry. After the arrival, carefully open the outer package and prevent scratches and bumps of PV modules. When stacking PV modules, strictly follow the stacking requirements in chapter 4.3.
- Avoid impact or scratches on any part of the PV module, otherwise the reliability and safety of the PV module will be affected; standing or walking on the PV module is prohibited; at the same time, in order to avoid glass damage, it is forbidden to apply excessive load or distorted PV modules.
- Do not install or carry PV modules by one person. It is forbidden to pick up, drag, or move PV modules by grabbing the junction box (including the box body, cables, and connectors); when placing a PV module on a flat surface, it must be operated carefully and be aware of bumps in the corners.
- When installing or repairing the PV system, do not

wear any metal accessories to avoid the risk of electric shock; if it is installed far above the ground, please wear a seat belt.

- When operating PV modules in the sun, please use insulated tools, and wear rubber gloves and protective clothing. At the same time, in order to avoid the risk of arc and electric shock, do not directly touch the junction box and the end of the output cable (connector) with bare hands.
- For electrical connection, choose a dry and weak-light morning or evening; or use opaque materials to completely cover the surface of the PV modules to prevent current generation.
- A certain distance between the PV module and the installation surface should be kept to prevent the installation surface from touching the junction box.
- When installing on the roof, comply with the fire protection requirements of the building. It is recommended to install PV modules on a fireproof and insulated roof covering, and ensure adequate ventilation between the PV modules and the installation surface. In order to ensure the fire rating on the roof, the minimum distance between the frame of the PV module and the roof surface is 10cm.
- The connector must be fully mated when wiring. If the cable is too long, it is recommended to fix the cable to the rack system with a UV-resistant nylon cable tie. When fixing the cable to the rack, the bending radius of the cable should not be less than 48mm.
- Avoid directly exposing cables and connectors to sunlight. Please use anti-UV cables.

- 
- Do not disconnect the electrical connection when there is a load.
  - It is strictly forbidden to try to disassemble the PV module, and it is strictly prohibited to remove the nameplate of the PV module or other parts on the PV module; it is strictly forbidden to paint or apply any adhesive on the surface of the PV module.
  - It is strictly forbidden to drill holes in the frame of the PV module.
  - It is strictly forbidden to scratch the anodized layer on the surface of the aluminum alloy frame, except when it is connected to the ground. Scratches may cause corrosion of the frame, affecting the frame's load-bearing capacity and long-term reliability.
  - If the PV module glass or other packaging materials are damaged, please wear personal protective equipment to separate the PV module from the site or the circuit. It is strictly forbidden to touch wet PV modules, unless you are wearing electric shock protection equipment that meets the requirements.
  - When professionals replace or repair PV modules, do not damage the surrounding PV modules or their support structures.
  - When cleaning PV modules, you must follow the cleaning requirements of PV modules.
  - The connectors must be kept dry and clean to ensure that they are in good working condition. Do not insert other metal objects into the connector or make electrical connections in any other way.
  - If the PV module is not in use, please do not open the product packaging. The goods should be stored in a dark, dry and ventilated place. If the PV modules are stored in an uncontrollable environment, the storage time must be less than 3 months when the outer packaging of the PV modules is kept intact.
  - It is recommended to unpack an appropriate number of PV modules per day according to the project progress, and the unpacked PV modules should be installed within a day. If unpacking too many PV modules and being stacked on the ground, in severe weather such as heavy rain and typhoons, the PV modules may be immersed in water for a long time affecting the reliability of the product or be scraped away.

#### 4.1 Transport

- During the transportation of the PV modules to the project site, they must be packed in the packaging box provided by Solahart, and they should be stored in the original packaging box before installation. Please protect the packaging from damage.
- It is necessary to ensure the safety when unloading PV modules, especially when hoisting roof projects. It is forbidden to use lifting straps directly on the pallet for hoisting. The PV modules should be placed in a protective device and then hoisted to the roof to prevent the packing box from deforming and bumping against the wall during the hoisting process.

#### **! Special instructions**

Due to the limitation of the height of the container,

## 4 Handling and unpacking

---

when the PV modules are removed from the container, the distance between the upper surface of the forklift tines and the ground should be less than 80mm, otherwise collisions may easily occur, which may damage PV modules.

## 4.2 Unpack

When unpacking, you need to tear the stretch film first, then use a knife to cut the binding tape, and remove the packing box cover.

If the inner packaging is fixed with anti-falling tape, two people in a group should hold the frame with both hands in the same direction to take out one piece of PV module each time. Take out the PV module by tearing a piece of fixing glue, and do not remove the fixing tape at one time to prevent the whole PV module from tipping. Unpacking should follow the steps of tearing off one piece of the fixing tape followed by taking out one piece of PV module, instead of tearing off all fixing tape which may cause module collapsing. If the internal packaging is fixed by the internal packing belt, first cut the internal packing belt, use non-sharp and stable items to prop up one of the long-side enclosure frame, and then cut the other side of the frame. Two people in turn move and take out the PV modules. The whole handling process needs to be handled gently to avoid any collision with hard objects and any part of the frame dragging on the ground.

## 4.3 Stack

When taking out the PV module from the packing box, put the cardboard on the ground first to prevent the PV module from colliding and scratching with the cement surface, hard object on the ground, color steel tile,

metal corrugated, etc.

When the PV modules are stacked, they must be neatly and stably stacked on a horizontal surface, and stacked with the glass side facing down and the back side facing up. At the same time, there must be cardboard bedding under the PV modules. For example, when installing PV modules on the roof, the number of piles should not exceed 20. For roofs with poor load-bearing capacity, it is recommended that the designer or installer evaluate the load-bearing capacity of the roof and reduce the load-bearing unit area of the roof by reducing the number of piles. At the same time, avoid installation tools and other objects on the surface of the PV module.

## 5 Mechanical installation

### 5.1 Environment

- Recommended ambient temperature: -20°C to 50°C;

extreme operating ambient temperature for PV modules: -40 °C to 85°C.

- Mechanical load on PV modules: under standard installation conditions, the maximum tested snow/wind load is 5400 Pa/2400 Pa and the design load (considering a safety factor of 1.5 times) is 3600 Pa/1600 Pa. Refer to 5.3 for detailed installation and mechanical loads.
- PV modules are strictly forbidden to be installed and used in environments with excessive amounts of hail, snow, hurricanes, sand, soot, air pollution, and etc. PV modules are strictly forbidden to be installed or used in environments where there are strongly corrosive substances (e.g. salt, salt spray, brine, active chemical vapors, acid rain, strong vapor confined environments or any other substance that will corrode PV modules and affect their safety or performance).
- If the PV modules will be installed in special environments such as high temperature and high humidity environments, humid salt-mist environments (C3+areas specified in ISO 9223), marine and floating environments and farms, the purchaser or user needs to inform Solahart in advance. The types of PV modules, BOM, and warranty issues will be decided by mutual agreement between the parties.
- If the above precautions are not observed, Solahart warranty will be void.

### 5.2 Tilt angle selection

The tilt angle of a PV module refers to the angle between the surface of the PV module and the ground surface, as shown in Fig. 1. The power output of a PV

module is maximized, when it faces the sun directly.

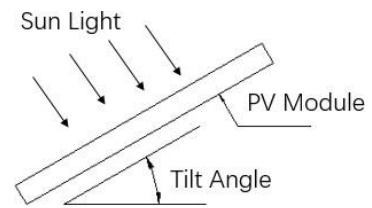


Fig. 1 Schematic diagram of tilt angle

For northern hemisphere, PV modules should preferably face south. For southern hemisphere, PV modules should preferably face north. For detailed mounting inclination, please follow local regulatory guidelines or the recommendations of an experienced installer. Solahart recommends an installation tilt angle of no less than 10°, so that when it rains, the dust on surface is easily carried away by the rainwater, thus reducing the number of times of clean; at the same time, it helps the water on the surface of the PV module to flow away, avoiding the long-term accumulation of large amounts of water on the glass surface, which can affect the appearance and performance of the PV module.

PV modules connected in series should be installed in the same orientation and angle. Different orientations and angles may result in different amounts of solar radiation being received by each module, resulting in power loss.

### 5.3 Mounting Guide

- PV module mounting system must be composed of durable, corrosion-resistant and UV-resistant materials, and it must be inspected and tested by a third-party testing organization with static mechanical analysis capabilities meeting national and regional regulations or corresponding international standards.



- The PV module must be securely fastened to the mounting system. If the PV module is mounted in a snowy area, the height of the mounting system should be designed in a way that the lowest end of the PV module is not covered by snow. In addition, it should be ensured that the lowest end of the PV module is not shaded by surrounding trees or other vegetation.
- When the PV module is mounted on a rack parallel to the roof, the minimum clearance between the PV module frame and the roof is 10cm, which is necessary for air circulation to prevent wiring damage of the PV module.
- The PV module frame will suffer thermal expansion and contraction effect, therefore the space between two adjacent PV module frames should be no less than 10mm when mounted.

For detailed installation methods, please refer to the following specifications:

### 5.3.1 Bolted mounting

All modules must be securely fastened with at least 4 bolts (As shown in Fig. 2, Fig. 3, Fig. 4 , Fig. 5 and Fig. 6). The corresponding mechanical loads are shown in Table 1.

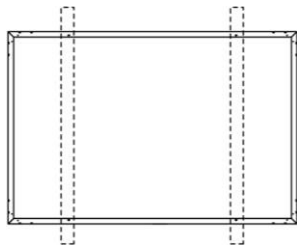


Fig 2. Bolt installation for 54cell half-cut 108 cell

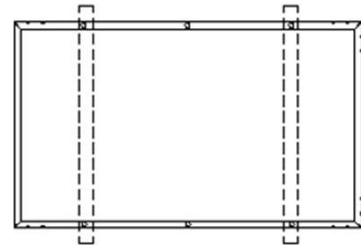


Fig 3. Bolt installation for 60cell half-cut 120 Cell

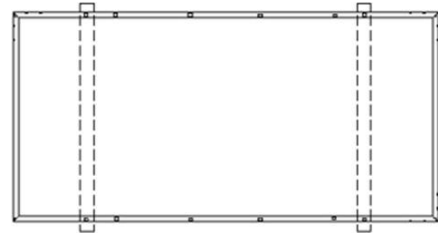


Fig 4. Outer four-hole bolt installation for 72cell

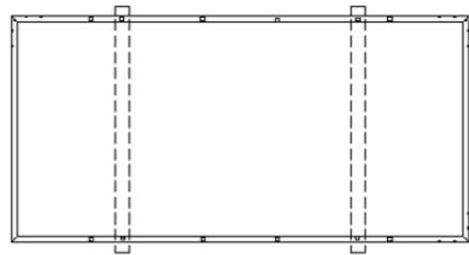


Fig 5. Internal four-hole bolt installation for 72cell

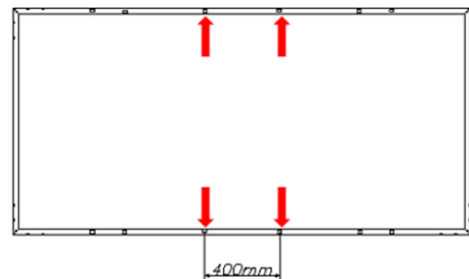


Fig 6. 400mm-pitched mounting hole, bolted mounting for single axis tracker

### **! ATTENTION**

In order to achieve maximum safety precautions against wind and snow loads, it is recommended that all available mounting holes should be used. The bolt installation steps are as follows (Fig. 7).

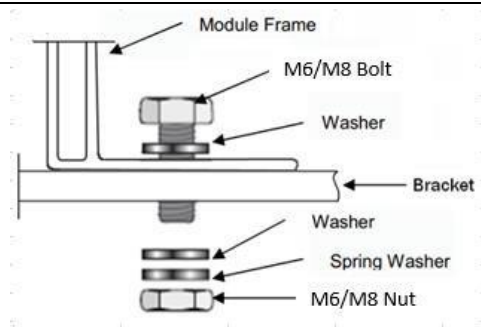


Fig. 7 Diagram of the bolt installation process

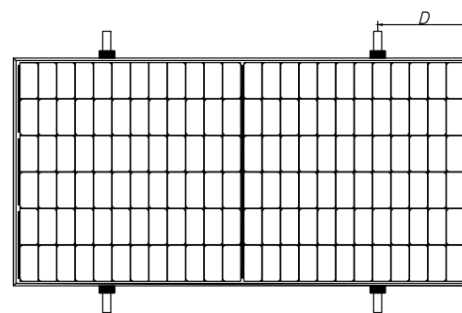


Fig. 8 Rails overlapping the long-side frame

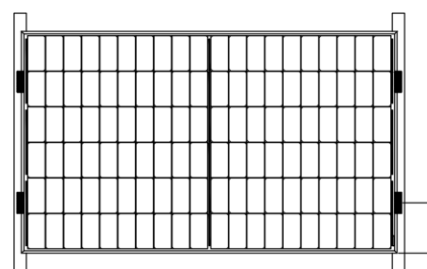


Fig. 9 Rails overlapping the short-side frame

- ① Place the PV module on top of the rack.
- ② Insert 4 stainless steel bolts in corresponding mounting holes. The 9x14mm mounting holes match with M8 bolts, while the 7x10mm mounting holes match with M6 bolts. 7x10mm mounting holes are positioned with a hole pitch of 400mm.
- ③ Make sure to use two stainless steel washers for each bolt, one on each side of the rack. Then screw on the top of a stainless-steel spring washer or toothed lock washer. Finally, lock with a stainless-steel nut.
- ④ The tightening torque is recommended to be 9~12Nm for M6 bolts and 17~23Nm for M8 bolts. Due to the possible difference of bolt material, the specific torque value is subject to the information confirmed by the bolt supplier.

### 5.3.2 Clamped mounting

Photovoltaic modules can be installed across the support frame (Fig. 8) or parallel to the frame of the photovoltaic module (Fig. 9). When using clamps to install, each module must be secured with a minimum of 4 clamps.

#### **! ATTENTION :**

- The length of the rack must be longer than the PV module, otherwise it should be confirmed by Solahart in advance.
- The above two diagrams show the mounting method using aluminum clamps. "D" indicates the mounting range. Table 1 shows the recommended mounting position and corresponding machine loads.
- Each aluminum clamp is equipped with an M8 bolt, a flat washer, a spring washer and an M8 nut. The mounting steps are as follows:
  - ① Place the module on the two supporting rails which should be made with stainless material and treated with an anti-corrosion process (e.g. hot dipped galvanizing). Each PV module needs at least four clamps to be fixed. The module clamps should not come into contact with

the glass and should not deform the frame, otherwise they may cause module damage.

- ② Be sure to avoid shadowing effects from the module clamps. Weep holes on the module frame must not be closed or obscured by the clamps. The clamp must have at least 8mm but no more than 11mm overlap with the frame of the module (The clamp section can be changed under the premise of ensuring reliable installation).
- ③ The top surface of the rail contacted with module frame should be equipped with grooves compatible with an M8 bolt.
- ④ If the grooves are not provided, holes of a suitable diameter may need to be drilled to allow bolts attaching to the rail at the same locations as mentioned above.
- ⑤ Ensure that the mounting sequence of each clamp is in the order of flat washer, spring washer and nut.
- ⑥ There are two types of clamps, the mid clamp shown in Fig 10 and the fringe clamp shown in Fig 11 and Fig. 12. The mid clamp has dimensions of  $a \geq 40$  mm,  $b \geq 26$  mm,  $c \geq 5$  mm,  $d \geq 28$  mm,  $\varnothing = 9$  mm. For module of 182mm-wafer, the size of mid and fringe clamp must meet  $a \geq 60$  mm. The tightening torque is suggested to be 17~23Nm for Class 8.8 screw and bolts.

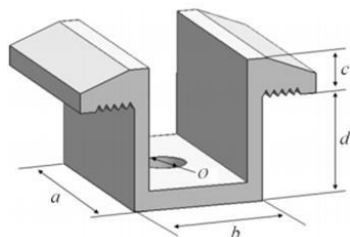


Fig. 10 Schematic diagram of the mid clamp

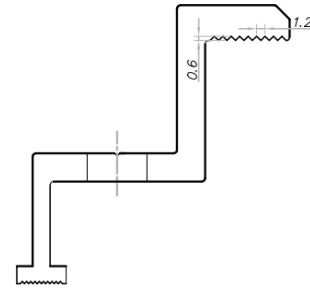


Fig. 11 Schematic cross section of the fringe clamp

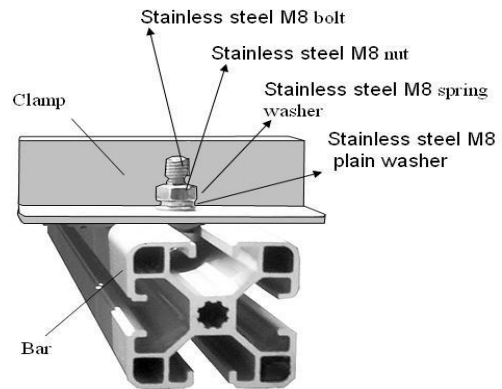


Fig. 12 Schematic diagram of the fringe clamp

- ⑦ To prevent modules from coming off the fixed device after installation, it is suggested to choose fringe and mid clamps and make contact with the A side of the frame with groove patterns. Suggest to have 9 patterns with a space between 2 adjacent patterns of 1.2mm and a depth of 0.6mm, as shown in figure 11.
- ⑧ For the installation method shown in Fig. 9, the module needs to be fixed with professional clamps (as shown in Fig. 13), and the overlap between the C side of the module and the rail should be  $\geq 15$ mm. Solahart limited warranty will be void if improper clamps or improper installation is used.

Figure 13 Mounting requirements for rails overlapping the short-side frame

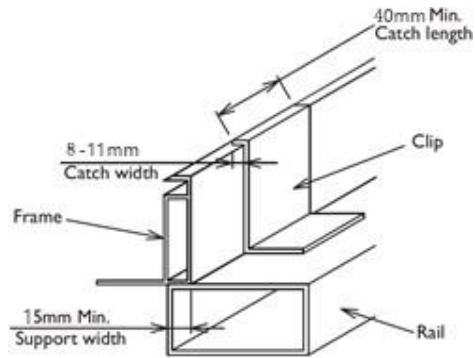


Table 1 Installation range and corresponding values

Module type	Dimensions L*W*H (mm)	Installation method				
		Fig 2 & Fig 3 & Fig 4	Fig 5	Fig 8	Fig 9	Fig 6
<b>Solahart440BRB1</b>	1762 *1134*30	+5400Pa	--	+5400/-2400Pa	+1200/-1200Pa	---
<b>Solahart445BRB1</b>	1762 *1134*30	-2400Pa	-	Installation scope D=266~466mm	Installation scope D=150~250mm	---
<b>Solahart450BRB1</b>	1762*1134*30					

---

## 6 Electrical Installation

### 6.1 Electrical characteristics

The electrical characteristics are detailed in the PV module product datasheet.

The rated values of electrical characteristics, including  $I_{sc}$ ,  $V_{oc}$  and  $P_{mpp}$ , have some tolerance with the measured values at standard condition:  $\pm 5\%$  for  $I_{sc}$ ,  $\pm 3.5\%$  for  $V_{oc}$  and  $\pm 3.5\%$  for  $P_{mpp}$ . The standard test condition refers to  $1000W/m^2$ , AM1.5 and cell temperature at  $25^\circ C$ .

The actual maximum voltage must be less than the standard maximum system voltage and the maximum output voltage of the inverter and other electrical equipment installed in the system. The number of PV modules connected in series should match the voltage specification of the inverter. The total voltage generated by PV modules in series should not be higher than the maximum voltage allowed by the system.

To ensure the above requirements, the open-circuit voltage of the string needs to be calculated at the lowest expected ambient temperature at certain location. This can be calculated using the following formula:

Maximum system voltage  $\geq N * V_{oc} * [1 + TC_{voc} * (T_{min} - 25)]$  Where:

N: number of PV modules in a single string

$V_{oc}$ : open-circuit voltage of each PV module (refer to the PV module nameplate or product datasheet)

$TC_{voc}$ : temperature coefficient of PV module for open-circuit voltage (refer to the PV module product manual)

$T_{min}$ : minimum ambient temperature.

### **! ATTENTION**

- Under normal operating conditions, the output current and/or voltage of the PV module may be higher than the value under standard testing conditions. Therefore, in PV system design, for example determining the rated voltage of equipment, current carrying capacity of wires and fuse and parameters associated with the output power of PV modules, the corresponding short-circuit current and open-circuit voltage should be applied with a safety factor of 1.25. The number of PV modules connected in series should match the voltage specification of the inverter. The total voltage generated by the PV modules connected in series cannot be higher than the maximum voltage allowed by the system.
- Depending on the maximum rated fuse current of the PV module and the local electrical installation standards, the connection of parallel strings of PV modules needs to be equipped with suitable fuses or preventive diodes for circuit protection purposes.

### 6.2 Electrical connection

To ensure the normal operation of the system, make sure the polarity of cables is correct when connecting modules or loads, such as inverters and batteries. If the PV module is not connected correctly, the bypass diode may be damaged. Fig. 14 shows how the PV modules are connected in series and parallel. PV modules can be wired in series to boost the voltage. Series connections are made by connecting the wire from the positive terminal of one module to the negative terminal of the next module. PV

modules can be wired in parallel to increase the current by connecting the positive terminal of one module to the positive terminal of the next module. If a module is not connected correctly, the bypass diode may be damaged.

- The number of modules connected in series and parallel should be reasonably designed according to the system configuration.
- PV modules with different electrical performance models cannot be connected in one string.
- The system shall use special cables and connectors for PV system and ensure that all connections are securely fastened. The cable must be 4mm<sup>2</sup> (i.e. 12 AWG) and withstand the maximum possible open-circuit voltage of the PV system.
- When fixing the cable to the rack, it is necessary to avoid mechanical damage to the cable or to the PV module. Do not press the cable hard. To secure the cable to the rack in the proper way, specially designed UV-resistant coils and cable clips must be used. Avoid direct sunlight and water soaking to the cable.
- Keep the connectors dry and clean and make sure that the nuts on the connectors are tightened before connecting them. Do not connect the connectors when they are damp, contaminated or in other bad conditions. Avoid exposing connectors to direct

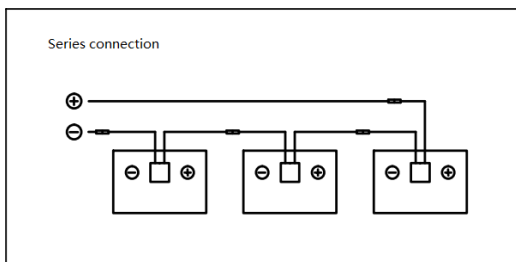
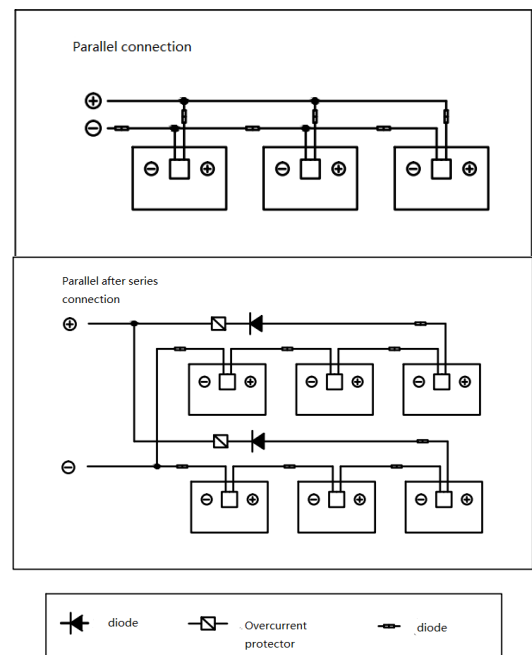


Fig. 14 Schematic diagram of electrical connection

**! ATTENTION**

- If one PV module string (or PV array) is connected to another with opposite polarity, irreversible damage can be caused to the PV module product. Be sure to confirm the voltage and polarity of each string before making a parallel connection. If measurements reveal opposite polarity or a voltage difference greater than 10V between the strings, check their structural configuration before proceeding with the connection.

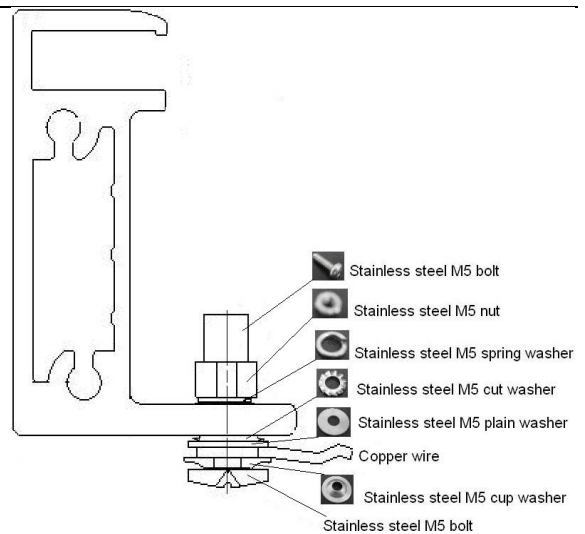


sunlight and soaking in water. Avoid the connectors falling on the ground or the roof. Do not plug or unplug the connectors when the PV module is in live state. When it is necessary to remove the connectors, ensure that the PV module is not in working condition and that professional unlocking tools and safety measures are used. Direct dragging and pulling is forbidden.

- The junction box of the PV module contains bypass diodes connected in parallel to the string of the PV module. The bypass diode in the junction box prevents module degradation due to shading or covering. Refer to the junction box diode specification provided in the relevant product datasheet for more details. I When the localized hot spot phenomenon occurs in the PV module due to partial shading or coverage, the diode in the junction box will start to work, so that the module current will no longer flow through the hot spot cell, to limit the heat and loss of the PV module. When a diode failure is suspected or found, please contact Solahart team and do not attempt to open the junction box cover.

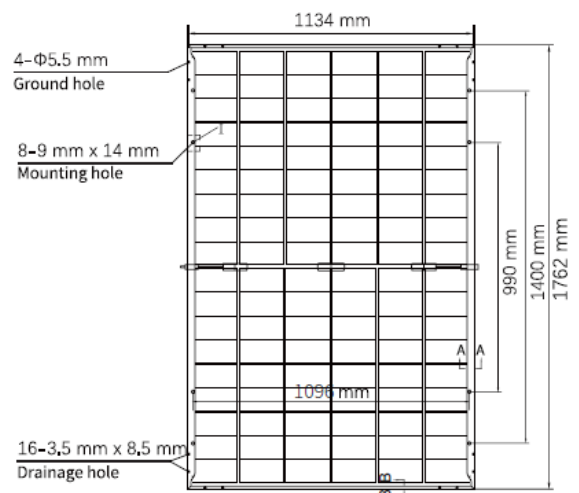
### 6.3 Grounding

The PV modules are designed with an anodised, corrosion-resistant aluminum alloy frame as a rigid support. To ensure safety and to avoid lightning strikes and electrostatic damage to the PV modules, the PV module frame must be earthed. The earthing device must be in full contact with the interior of the aluminum alloy of the frame, penetrating the surface oxide film. The following is the specific grounding method, as shown in Fig. 15.



**Fig. 15** Grounding the aluminum frame with copper wire

- The grounding requirements must be checked in accordance with the applicable regulations and standards before work is started.
- Use the marked 5.5 mm grounding holes to ground the anodized frame. Use one M5 nut, two M5 cut washers, one M5 plain washer, one M5 spring washer, and one M5 bolt and the copper wire. All nuts, bolts, and washers shall be of type M5 and made of stainless steel (Fig. 15). Grounding hole location on the panel frame is shown in Fig. 16 below.



**Fig. 16** Grounding hole location on panel frame

- Insert the bolt through the cup washer and wrap the copper wire around the bolt. (Note that the copper wire cannot be attached directly to the aluminum.)
- Insert the bolt through the cut washer and then through the hole in the aluminum frame.
- Add the spring washer and nut on the other side of the bolt and tighten to secure all parts. The tightening torque should be 4~4.5N•m.

### **! ATTENTION**

- Use UL-467 certified bonding and grounding devices, including Burndy (formerly Wiley Electronics) Washer Electrical Equipment Bonding (WEEB) and similar devices, such as barbed washers, that meet the requirements of UL-467 and is suitable for electrical bonding and grounding of PV modules.
- Other grounding methods may be used when the racking system is tested following the UL 2703 requirements.
- Do not drill any additional grounding hole on the frame of the modules. The frame rails have pre-drilled holes marked with a grounding sign. These holes should be used for grounding purposes and should not be used for mounting the modules.

## **7 Maintenance**

PV modules must be inspected and maintained regularly, especially during the warranty period, which is the responsibility of the user. This helps to find and figure out problems in time and ensure the safe and effective operation of the PV system.

### **7.1 Routine Inspection**

PV modules in PV arrays should be inspected regularly for damages, such as glass breakage, cable

breakage, junction box damage, cell cracks, and backsheet breakage and other factors that cause functional and safety failures of PV modules. If any of the above problems occurs, the supplier should be notified to replace the broken module with a new one of the same type in time.

It is recommended to perform preventive inspection every 6 months and not to replace the components of PV modules without authorization. When conducting inspection or maintenance in terms of the electrical and mechanical performance, it is recommended that qualified professionals perform the work to avoid electric shock or personal injury.

Take routine maintenance to keep PV modules free of snow, bird droppings, seeds, pollen, leaves, branches, dust, stains, etc.

### **7.2 PV module cleaning**

If the PV module has a sufficient angle of tilt (15° or more), it is generally not necessary to clean the PV module (as the rainfall will provide a self-cleaning effect). If there is a large accumulation of dirt on the PV module surface that has seriously affected the power production, the module can be rinsed with water without detergent, and use a gentle sponge or brush to clean the surface during the cooler hours of the day. Dust must not be scraped or wiped off under dry conditions as this may result in tiny scuff marks. For snow removal, the PV module surface can be cleaned with a brush with soft bristles.



---

## Modified version and date

· Rev 1.4A, released in February 2023

**Solahart Industries Pty Ltd** (A.B.N. 45064945848)  
Registered Office  
1 Alan Street (PO Box 7508, Silverwater, 2128) Rydalmere  
New South Wales 2116  
Australia

For SERVICE Telephone - **1800 638 011**  
Email us: [solahart@solahart.com.au](mailto:solahart@solahart.com.au)  
or your nearest Solahart Dealer  
For Sales Telephone - **1300 769 475** or your  
nearest Solahart Dealer [www.solahart.com.au](http://www.solahart.com.au)