



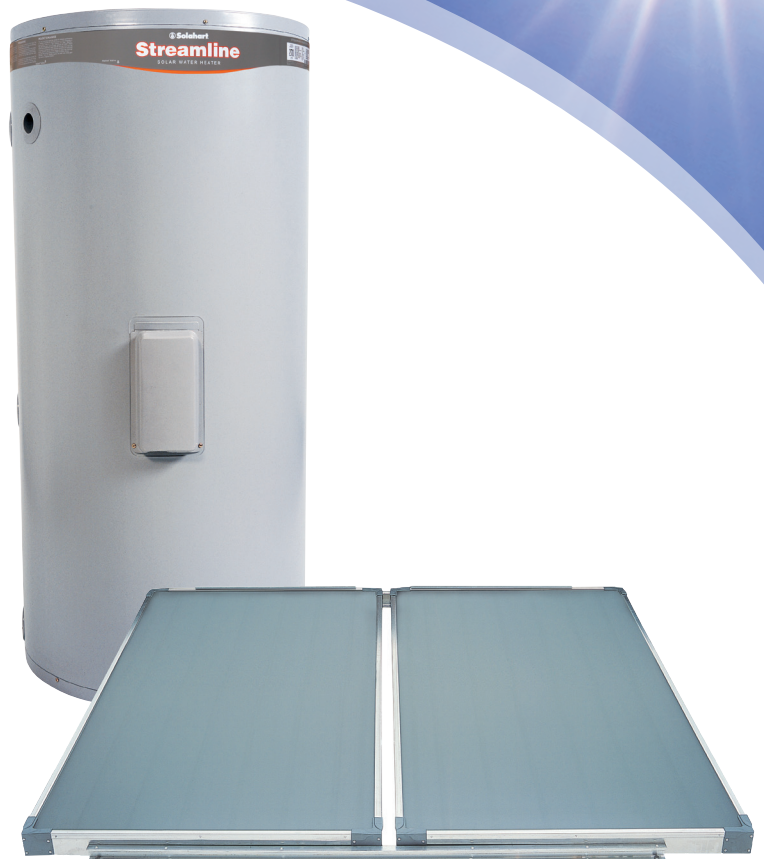
Streamline Electric Open Circuit

Description

The Solahart Streamline is a split open circuit solar water heater with roof mounted slimline collectors and a discreet ground mounted tank. It is suitable for use in medium to high solar gain areas.

The Streamline open circuit uses copper risers in its collectors, which transfer the solar energy directly to the water as it is circulated through the panels by an electric circulator. The heated water is stored in the ground mounted tank.

This system uses an L collector which has a black polyester powder coated aluminium absorber to collect the sun's heat and transfer it to the water in the risers. Copper is used for the risers for its high thermal conductivity, ensuring the maximum amount of heat energy is passed into the water.



The Streamline electric boosted models are equipped with an in tank electric booster to ensure a continuous supply of hot water.

Key Features

- Stylish slimline design
- Minimum visual impact
- Electric booster
- Ceramic lined tank
- Toughened, hail resistant collector glass

Key Benefits

- Can save up to 50% to 80% of water heating energy consumption*
- Hot water regardless of the weather
- Can qualify for valuable environmental incentives*
- Reduced energy use can save up to 2.0 to 2.9 tonnes of CO₂ emissions per annum
- Peace of mind with Solahart's 5/3/1 year warranty†

* Energy savings of up to 50% to 80% shown are based on Australian Government approved TRNSYS simulation modelling using a medium load. Savings and incentives will vary depending upon your location, type of Solahart system installed, orientation and inclination of the solar collectors, type of water heater being replaced, hot water consumption and fuel tariff. Maximum financial savings off your hot water bill are achievable when replacing an electric water heater on continuous tariff. Refer to solahart.com.au for further information.

† Solahart Warranty Details: 5/3/1 warranty; 5 year cylinder and collectors supply, 3 year labour on cylinder, 1 year parts including labour, 1 year labour on collectors; applies to a single family domestic dwelling only. All other applications have a 3/1/1/1 warranty; 3 years cylinder supply, 1 year collectors, 1 year parts, 1 year labour warranty. In Australia, an amended warranty period may apply where a government rebate has been received for the solar water heater. Phone 1300 769 475 for details.

Streamline SLV - Electric Boosted Open Circuit Systems

These systems are not suitable for harsh water regions.
These systems have limited frost protection.

SBV Systems and SLV Systems

| Model | 272 | 273 | 342 | 343 | 432 | 433 | 434 |
|----------------------|--------|--------|--------|--------|--------|--------|--------|
| Tank Model | 270SLV | 270SLV | 340SLV | 340SLV | 430SLV | 430SLV | 430SLV |
| Collector SLV Series | L | L | L | L | L | L | L |
| No. of collectors | 2 | 3 | 2 | 3 | 2 | 3 | 4 |

Solar Storage Tank

| Tank Model | | 270SLV | 340SLV | 430SLV |
|---------------------------|-----------|------------------|--------|--------|
| Storage capacity | litres | 270 | 325 | 410 |
| | US gal | 71.3 | 85.9 | 108.3 |
| Boost capacity (electric) | litres | 160 | 200 | 285 |
| | US gal | 42.3 | 52.8 | 75.3 |
| Installation | | Indoor / Outdoor | | |
| Solar controller kit | PN 299121 | 1 | 1 | 1 |
| Weight empty | kg | 70 | 87 | 111 |
| | lbs | 154 | 192 | 245 |
| Weight full | kg | 340 | 412 | 521 |
| | lbs | 750 | 908 | 1149 |
| Height | m | 1.395 | 1.640 | 1.840 |
| | in | 54.9 | 64.6 | 72.5 |
| Width | m | 0.640 | 0.640 | 0.690 |
| | in | 25.2 | 25.2 | 27.2 |
| Depth | m | 0.680 | 0.680 | 0.730 |
| | in | 26.8 | 26.8 | 28.7 |

Collector Installation

| Roof area dimensions | | 2 | 3 | 4 |
|--------------------------|-------------|------|-------|-------|
| Length* | m | 2.0 | 2.0 | 2.0 |
| | in | 78.8 | 78.8 | 78.8 |
| Width* | m | 2.3 | 3.4 | 4.5 |
| | in | 90.6 | 133.9 | 177.2 |
| Solar kits - L collector | | | | |
| Collector kit | PN 12104297 | 1 | 1 | 1 |
| Collector add on kit | PN 12104405 | 0 | 1 | 2 |

*An additional 0.9m (35.4in) should be left on all four sides of the installation for safe access and servicing.

Water Supply

| | | | | |
|---|-------|--|-----|-----|
| TPR valve setting | kPa | 1000 | psi | 145 |
| ECV* setting | kPa | 850 | psi | 125 |
| Max. supply pressure with ECV without ECV | kPa | 680 | psi | 100 |
| | kPa | 800 | psi | 115 |
| Min. supply pressure | kPa | 200 | psi | 29 |
| Water Connections | cold | RP $\frac{3}{4}$ /20 | | |
| | hot | RP $\frac{3}{4}$ /20 | | |
| | solar | DN15 compression fittings (solar hot and solar cold inlets to tank RP $\frac{3}{4}$ /20) | | |

*Expansion Control Valve (ECV) is not supplied.
Technical data is subject to change.

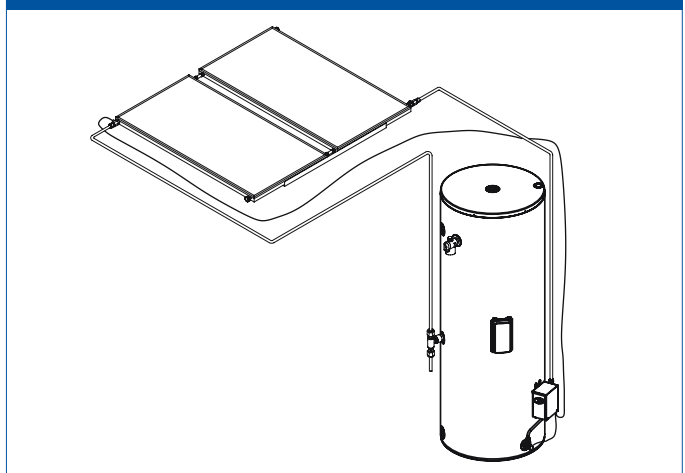
Electric Boost Specifications

| Heating unit type | Copper sheath immersion element | | | |
|--|---------------------------------|------------------|------------------|------------------|
| Supply voltage | 240V 50Hz | | | |
| Recovery rate @ 240 V and temperature rise of: | | | | |
| Rating kW | Current Amps | 30°C litres/hour | 40°C litres/hour | 50°C litres/hour |
| 2.4 | 10 | 68 | 52 | 41 |
| 3.6 | 15 | 103 | 77 | 62 |
| 4.8 | 20 | 137 | 103 | 83 |

L Collector

| | | | | |
|----------------------------|-----------------------------|------|-----------------|------|
| Aperture (heating) area | m ² | 1.87 | ft ² | 20 |
| Dimensions | length mm | 1937 | in | 76.3 |
| | width mm | 1022 | in | 40.3 |
| | height mm | 77 | in | 3.0 |
| Capacity | litres | 3 | US gal | 0.8 |
| Weight | empty kg | 33 | lbs | 73 |
| | full kg | 36 | lbs | 79 |
| Working pressure | kPa | 1000 | psi | 145 |
| Absorber surface | Black polyester powder coat | | | |
| Absorber material | aluminium | | | |
| Riser material | copper tube | | | |
| Tray material | 0.7mm aluminium | | | |
| Insulation material - base | 38mm polyester blanket | | | |
| Glass | 3.2mm tempered low iron | | | |

Streamline Electric Boosted



The Streamline SLV system can be installed as a solar preheater with an inline Solahart gas booster water heater. Refer to the Solahart gas booster specification sheet for further details on the gas booster.