



SOLAHART INLINE GAS BOOSTER

26 Litre

The Solahart inline gas booster is designed for use with either a roof-mounted solar hot water system or a split system. It provides all the benefits of solar hot water with the convenience and benefits of gas water heating, giving you luxurious hot water whenever you need it.

The hot water from your Solahart tank is piped to the booster and if it senses it is up to temperature, the water passes through the gas booster without further heating and is delivered to the tap. However, if it detects the temperature is less than the pre-set level, the gas booster will ignite to heat the water up to the set level, so you always have a constant stream of hot water with the lowest possible energy usage.

The Solahart inline gas booster is rated at 6-stars for energy efficiency and has no pilot light, to minimise energy wastage.

They are suitable for frost areas, but not suitable for harsh water regions.⁽¹⁾



**GAS BOOSTING
FOR HOT WATER
REGARDLESS OF THE
WEATHER**

HOW YOU BENEFIT



SYSTEM COMPATIBILITY

Compact design that can be used with either a roof-mounted or a split solar hot water system.



GAS MODEL OPTIONS

Natural Gas and Propane models available. Gas boosters are only suitable for outdoor installation.



REDUCE ENERGY USE

Solar savings with the benefits of gas water heating.⁽²⁾ Rated 6-stars for energy efficiency with no pilot light to minimise energy wastage.



SOLAHART WARRANTY

5-year parts and 3-year labour warranty, for peace of mind.⁽³⁾

Technical Data

MODEL INLINE GAS BOOSTER 26L

Part Number		
Natural Gas	PN	10143268
Propane Gas	PN	10143267

General Information		
Gas energy rating	Stars	6
Number of bathrooms	Moderate climate	3
	Cool climate	2.5
Min. operating flow rate	L/min	2.0
Thermal input	MJ/h	199
Heating rate	L/min @ 40°C rise	16.2
	L/min @ 25°C rise	26
Weight	kg	16
Height	mm	580
Width	mm	355
Depth	mm	187
Frost protection		standard
Gas connection		R 3/4
Gas pressure maximum	kPa	3.5
Gas pressure minimum	Natural gas - kPa	1.13
	Propane gas - kPa	2.75
Electricity supply*		240 V
Solahart Warranty ⁽³⁾		5 / 3 / 3

* A weatherproof general power outlet (GPO) is required within 1.2m of the inline gas booster.

Optional Accessories		
Recess box (galvanised finish)	PN	299247
Pipe cover (powder coated)	PN	299426*
Security cage	PN	299867
Wall mount security kit	PN	299868

* 299426 is supplied in a light grey finish only.

Power Consumption		
Burner on, anti-frost device inactive	Watts	59
Burner on, anti-frost device active	Watts	127

The water heater will only operate on an electricity supply with a sine wave at 50 Hz. Devices generating a square wave or a lower frequency cannot be used to supply power to the water heater.

ENERGY TIP

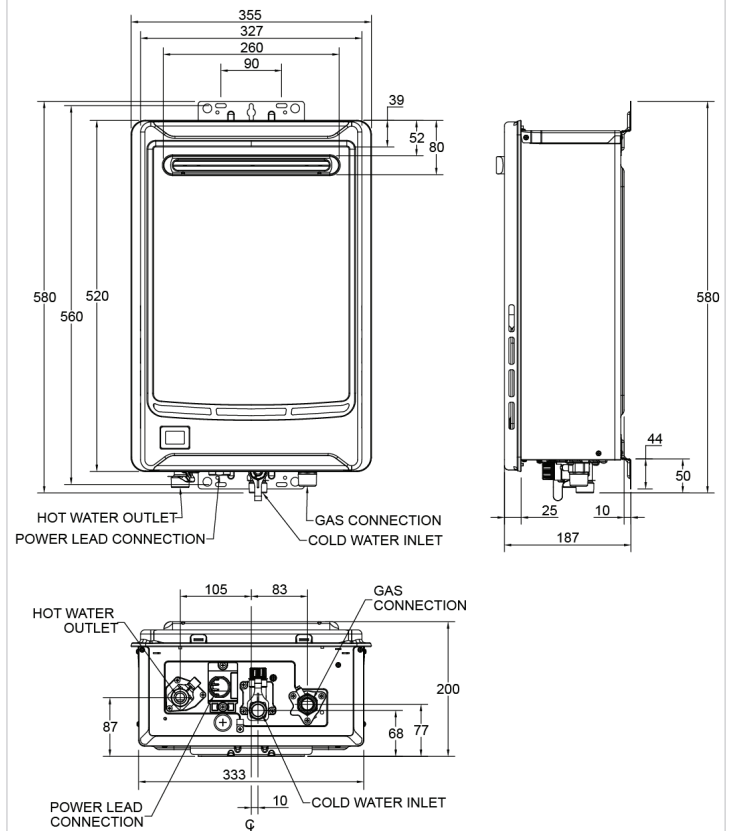
When installing your solar water heater, install minimum 3-star rated shower roses and flow restrictors to your taps if you don't already have them. Doing this will not only save water but make your solar savings go further.

⁽¹⁾ Harsh water regions – the Solahart warranty may not apply to the inline gas booster heat exchanger if it is connected to a water supply which: is scaling with a saturation index >+0.8, or; is corrosive with a saturation index <-1.0.

⁽²⁾ Savings will vary depending upon your location, type of Solahart system installed, orientation and inclination of the solar collectors, type of water heater being replaced, hot water consumption and fuel tariff. Maximum financial savings off your hot water bill are achievable when replacing an electric water heater on continuous tariff.

⁽³⁾ Solahart Warranty Details: 5/3/3 warranty, 5-year heat exchanger supply, 3-year labour on heat exchanger, 3-year parts including labour; applies to a single family domestic dwelling only. All other applications have a 1/1/1 warranty, 1 year heat exchanger supply, 1 year labour on heat exchanger, 1 year parts including labour.

Inline Gas Booster - 26 Litre



Water Supply		
Relief valve setting	kPa	1750
	psi	255
Maximum supply pressure*	kPa	1000
	psi	145
Minimum supply pressure**	kPa	120
	psi	17.4
Water connections	Inlet	R 3/4
	Outlet	R 3/4

* Maximum water supply pressure of solar preheater may be less than for the inline gas booster.

** Minimum water supply pressure required to achieve the rated flow.

Specifications and designs included in this data sheet are subject to change without notice.

Solahart Australia 1300 769 475 | solahart.com.au Solahart International +61 8 9351 4600 | solahart.com

Reorder code: SHDS/SHW-GB_26

IH0113_Gas Booster_26L_January 2019

